

# AEA RPQ2

## SPECIFICATIONS

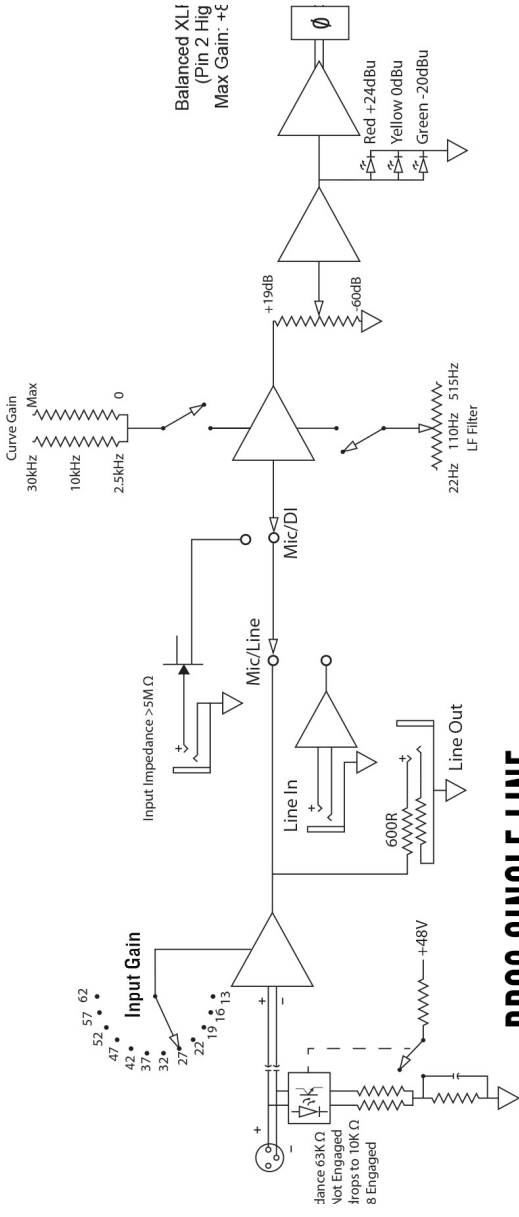


2-CHANNEL RIBBON PREAMP WITH EQ

---

# SPECIFICATIONS

Gain at 1kHz:	81dB of gain at 1kHz, balanced-in to balanced-out in Microphone Input mode
Noise figure, rms A-weighted:	<2dB
Noise figure, rms unweighted:	<3dB, 20 kHz LPF bandwidth
EIN:	<-130 dBu A-weighted, 150 Ohm resistive source
Frequency Response:	-3dB <1Hz and >100 kHz
THD:	<0.02% at 1 kHz
Input Impedance:	63K Ohms
Input Impedance (P48 Engaged):	10K Ohms 18K Ohms
Line Input Impedance:	>5M Ohms
Hi-Z Input Impedance:	
Mic Gain Control:	Twelve-position switch provides from +13dB to +62dB of gain for the pre-amplifier circuit, as measured between the input and the before the output line driver.
Switched LF Shelving filter:	-3dB break-frequency tunable from 22 Hz to 515 Hz; maximum reduction -20dB.
Switched CurveShaper™ EQ:	+3dB break-frequency tunable from 2.5 kHz to 30 kHz; HF gain adjustable from +0dB to +20dB; the slope of the HF filter varies interactively and directly with the CurveShaper™ frequency and gain settings.
XLR output maximum level into 600Ω load:	
XLR connectors polarity:	+28 dBu, balanced; 0 dBu = 0.7746 V rms
LED signal level indicators:	Pin-1 is ground, pin-2 is high, pin-3 is low The green LED snaps on at -20 dBu to indicate the presence of signal; the yellow LED snaps on at 0 dBu; the red LED snaps on at +24 dBu to warn of approaching signal overload.
Dimensions:	1U, Full-rack measured with knobs and switches: 19" w, 9" d, 1.75" h (48.5 cm x 23 cm x 4.45 cm)
Weight:	4lb 5oz (~2 kg)



# RPO2 SINGLE LINE

Full rack preamp • P48 • CurveShaper™ EQ • DI

*Minimum path, high gain, high impedance,  
fast transient recovery JFET preamp with  
post-mic and pre-EQ inserts.*



**AUDIO ENGINEERING ASSOCIATES**

1029 N. Allen Ave., Pasadena, CA 91104  
Tel: 626-798-9128 • Fax: 626-798-3378 • repair@rthomson.com



RPO2 Single Line Drawing



[AEARIBBONMICS.COM](http://AEARIBBONMICS.COM) | [@RIBBONMICS](https://twitter.com/RIBBONMICS) | [INFO@RIBBONMICS.COM](mailto:INFO@RIBBONMICS.COM) | (800) 798-9127