

# AEA R88 MK2

## SPECIFICATIONS



FAR-FIELD STEREO RIBBON MIC

---

# SPECIFICATIONS

Operating Principle: Pressure gradient transducer  
Directional Pattern: Bidirectional  
Frequency Range: < 20 Hz to 20 kHz  
Maximum SPL: 165 dB SPL (1% third harmonic > 1 kHz)  
Sensitivity: 2.5 mV/Pa (-52 dBV) into unloaded circuit  
Output Impedance: 270  $\Omega$  broadband  
Load Impedance: 1.2 k $\Omega$  or greater  
Phantom power: Not required or recommended  
Polarity: Pin 2 and 4 high for positive pressure at the front of the microphone.

Off Axis Response: Bidirectional  
Horizontal: Level changes with angle, frequency response is consistent, -35dB null at 90° / 270°  
Vertical: Level changes with angle, reduced HF response above and below 0° / 180°, -25 dB null at 90° / 270°

## Transducer Element

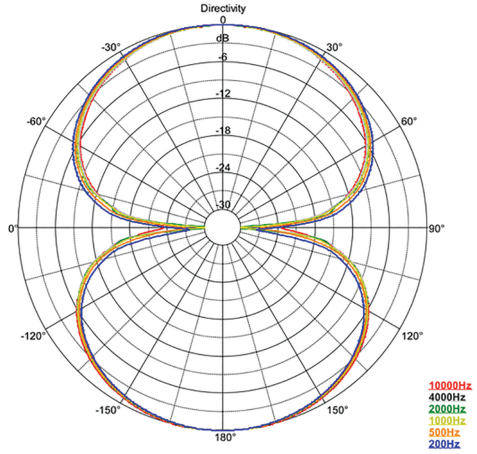
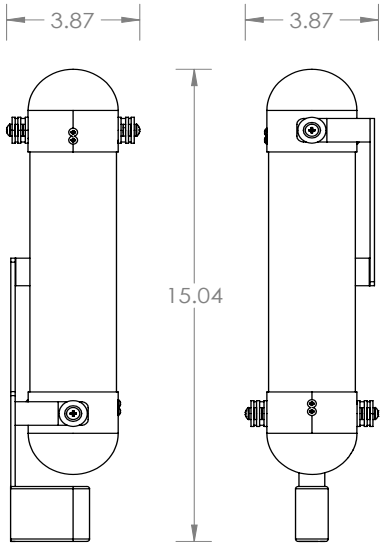
Material:  
Thickness: Pure aluminum corrugated ribbon  
Width: 1.8  $\mu$ m  
Length: 0.185 in (4.7 mm)  
2.35 in (59.7 mm)

## Microphone Dimensions:

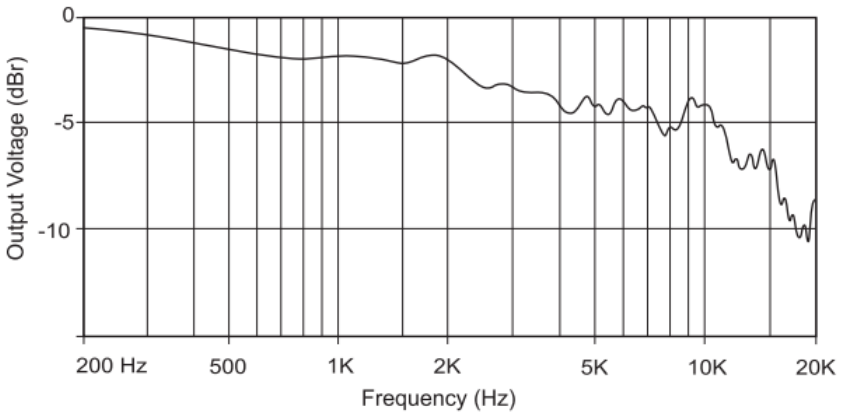
Height:  
Width: 15 in (38.1 cm)  
Depth: 3 in (7.62 cm)  
Weight:  
Shipping weight: 2 lb 9.8 oz (1.19 kg)  
Connector: 5 lb 3 oz (2.36 kg)  
XLR-5M, includes breakout cable - 2 XLR-3M

## Accessories Included:

Storage/shipping case, swivel adapter,  
custom protective mic sleeve, user manual



## FREQUENCY RESPONSE





[AEARIBBONMICS.COM](http://AEARIBBONMICS.COM) | [@RIBBONMICS](https://twitter.com/RIBBONMICS) | [INFO@RIBBONMICS.COM](mailto:INFO@RIBBONMICS.COM) | (800) 798-9127