

# AEA NUVO N8

## SPECIFICATIONS



ACTIVE FAR-FIELD RIBBON MIC

---

# SPECIFICATIONS

Operating Principle: Pressure gradient transducer  
Directional Pattern: Bidirectional  
Frequency Range: <20 Hz to >20 kHz  
Maximum SPL: 141 dB SPL (1% third harmonic > 1 kHz)

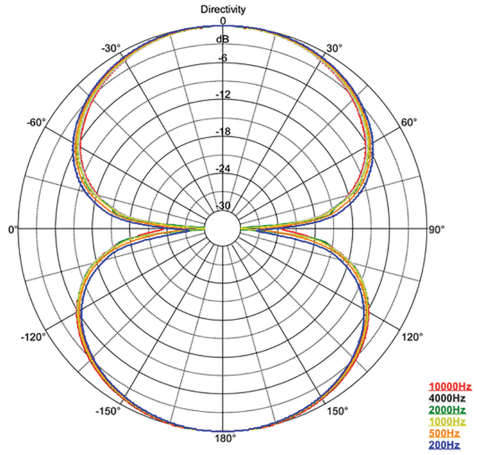
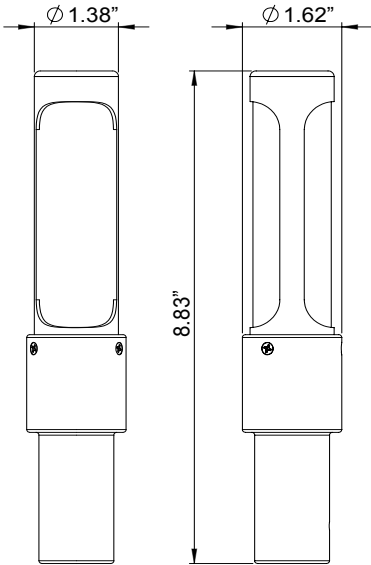
Sensitivity: 8.3 mV/Pa (at 1 kHz, no load)  
Output Impedance: 92  $\Omega$  broadband  
Recommended Load Impedance: 1.0 k $\Omega$  or greater  
P48 phantom power, 7 mA  
Phantom Power: Pin 2 high for positive pressure at the front of the microphone.  
Polarity:

Polar Response: Native bidirectional, figure-of-8 pattern  
Horizontal: Up to 90 dB rejection at right angles to the front/back axis.  
Vertical: Level changes with angle of incidence, but frequency response is consistent.

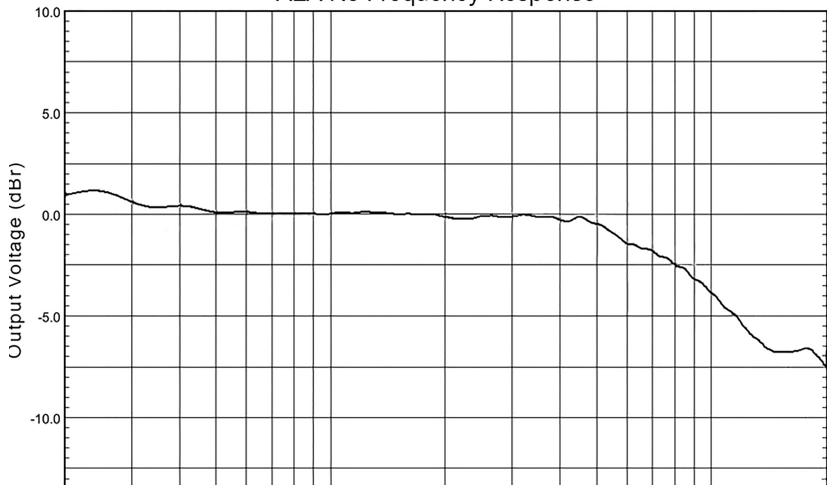
Transducer Element Material: Pure aluminum corrugated ribbon  
Thickness: 1.8  $\mu$ m  
Width: 0.185 in (4.7 mm)  
Length: 2.35 in (59.7 mm)

## Microphone Dimensions:

Height: 8.83 in (32.4 cm)  
Width: 1.62 in (11.7 cm)  
Depth: 1.62 in (9.5 cm)  
Weight: 12 oz (335 g)  
Shipping Weight: 1 lb 13 oz (810 g)  
Connector: XLR-3M



## FREQUENCY RESPONSE





[AEARIBBONMICS.COM](http://AEARIBBONMICS.COM) | [@RIBBONMICS](https://twitter.com/RIBBONMICS) | [INFO@RIBBONMICS.COM](mailto:INFO@RIBBONMICS.COM) | (800) 798-9127