

AEA KU4

SPECIFICATIONS



CLASSIC SUPERCARDIOID RIBBON MIC

SPECIFICATIONS

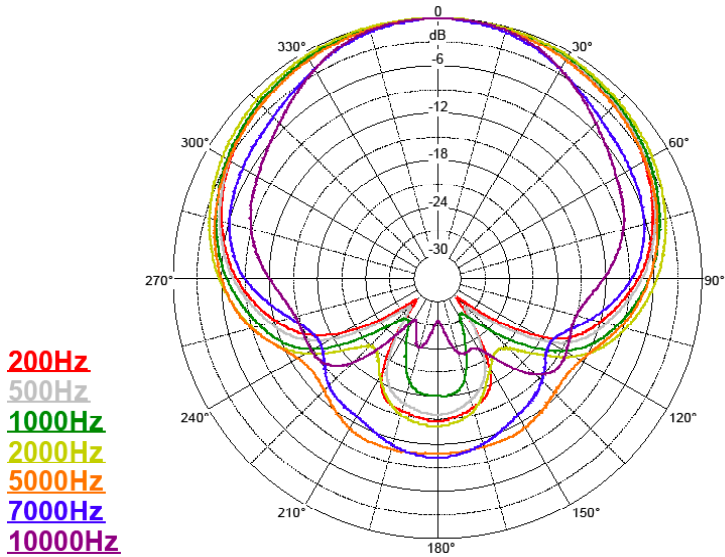
Operating Principle:	Pressure gradient transducer
Directional Pattern:	Supercardioid
Frequency Range:	<20 Hz to >20 kHz
Maximum SPL:	141 + dB SPL (1% third harmonic > 1 kHz)
Sensitivity:	6.3 mV/Pa (-44 dBv/Pa) into unloaded circuit
Output Impedance:	92 Ω broadband
Recommended Load Impedance:	1.0K Ω or greater
Phantom Power:	P48 phantom power, 7 mA
Polarity:	Pin 2 high for positive pressure on front of microphone

Polar Response:	Native bidirectional, figure-of-8 pattern Up to 90 dB rejection at right angles to the front/back axis.
Horizontal:	
Vertical:	Level changes with angle of incidence, but frequency response is consistent.

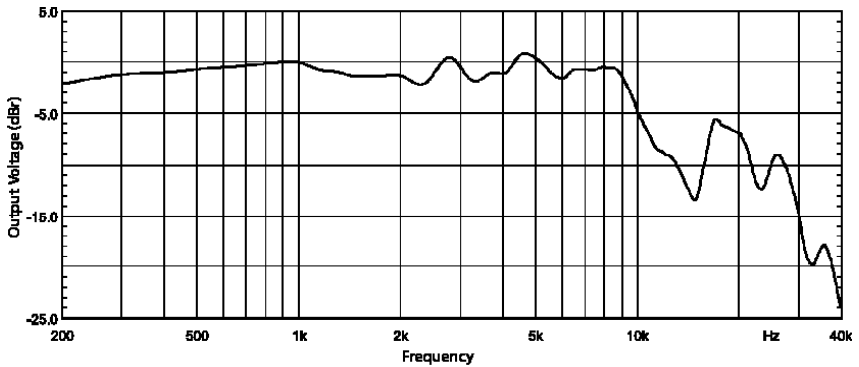
Transducer Element Material:	Pure aluminum corrugated ribbon
Thickness:	1.8 μ m
Width:	0.185 in (4.7 mm)
Length:	2.35 in (59.7 mm)

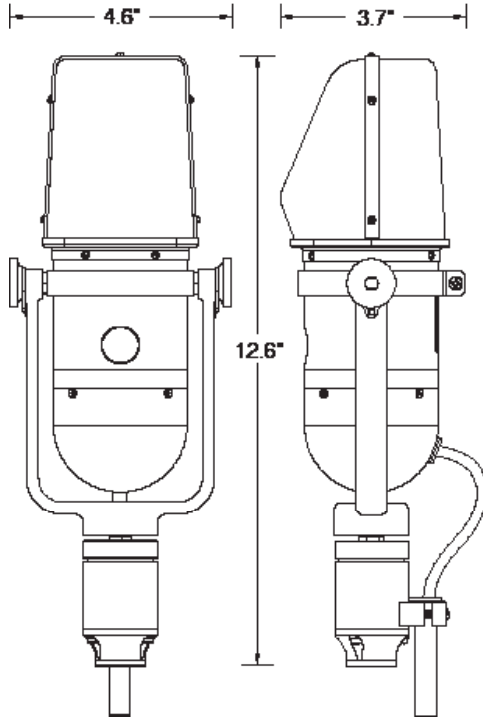
Microphone Dimensions:

Height:	11.6 in (29.5 cm)
Width:	3.9 in (9.9 cm)
Depth:	2.5 in (6.4 cm)
Weight with cable:	3 lb (1.36 kg)
Shipping Weight:	4 lb (1.8 kg)
Connector:	XLR-3M



FREQUENCY RESPONSE





AEARIBBONMICS.COM | [@RIBBONMICS](https://twitter.com/RIBBONMICS) | INFO@RIBBONMICS.COM | (800) 798-9127